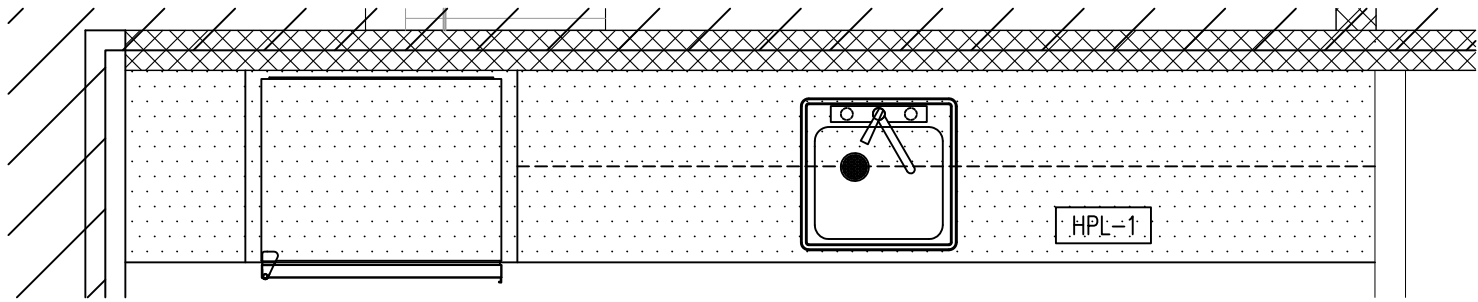


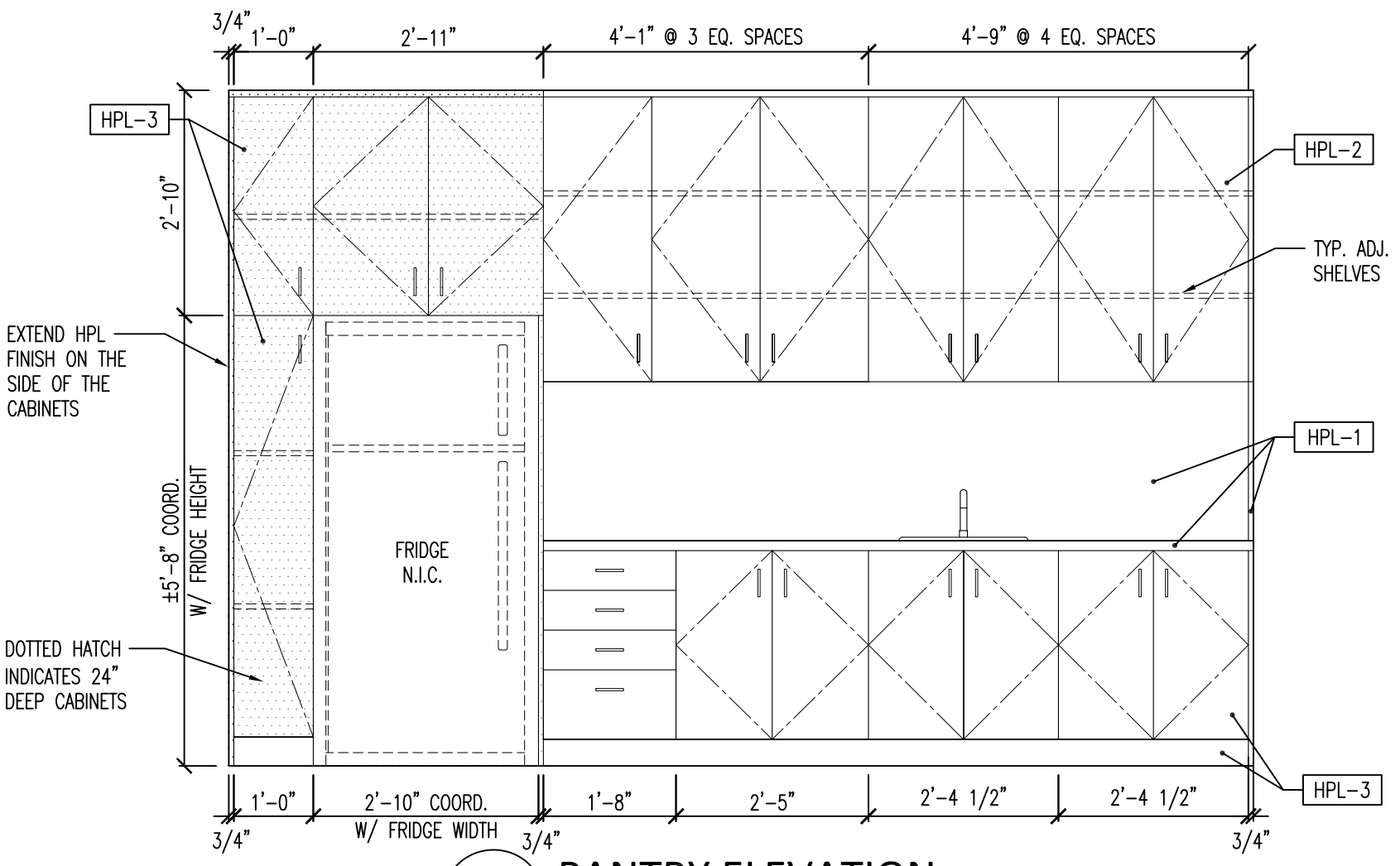
1 FINISH FLOOR PLAN
SK-1 AVENTURA CORPORATE CENTER II - SUITE 303

FINISH LEGEND	
CPT-1	CARPET TILE: OFFICES MANUFACTURER: BENTLEY STYLE: DISCORD 4DCT5 COLOR: PANDEMONIUM 402246 SIZE: 24"X24" INSTALLATION/PATTERN DIRECTION: MONOLITHIC / NORTH-SOUTH
CON-1	POLISHED CONCRETE: THROUGHOUT U.N.O. COLOR: NATURAL CONCRETE
HPL-1	HIGH PRESSURE LAMINATE: COUNTER TOP & BACKSPLASH MANUFACTURER: FORMICA COLOR: COLORCORE2 912C-58 STORM FINISH: MATTE FINISH
HPL-2	HIGH PRESSURE LAMINATE: UPPER CABINETS MANUFACTURER: LAMITECH COLOR: VGP VANILLA 2109 FINISH: XM
HPL-3	HIGH PRESSURE LAMINATE: LOWER CABINETS MANUFACTURER: LAMITECH COLOR: LARICE RUSTICO 1464 FINISH: MT
B-1	RUBBER WALL BASE THROUGHOUT U.N.O. MANUFACTURER: ROPPE PROFILE: STANDARD 4"HEIGHT X 1/8"THICKNESS (TOE BASE FOR CONCRETE FLOORS, NO TOE BASE FOR CARPET) COLOR: P150 DARK GRAY

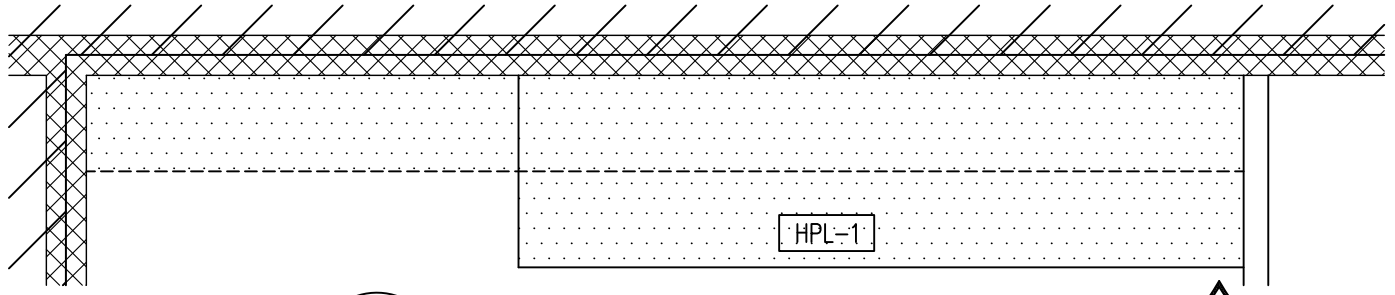
PROJECT NO:	1709-15
DRAWN BY:	I.G.
DATE:	11/06/18
SCALE:	3/16"=1'-0"
SHEET NO:	SK-1



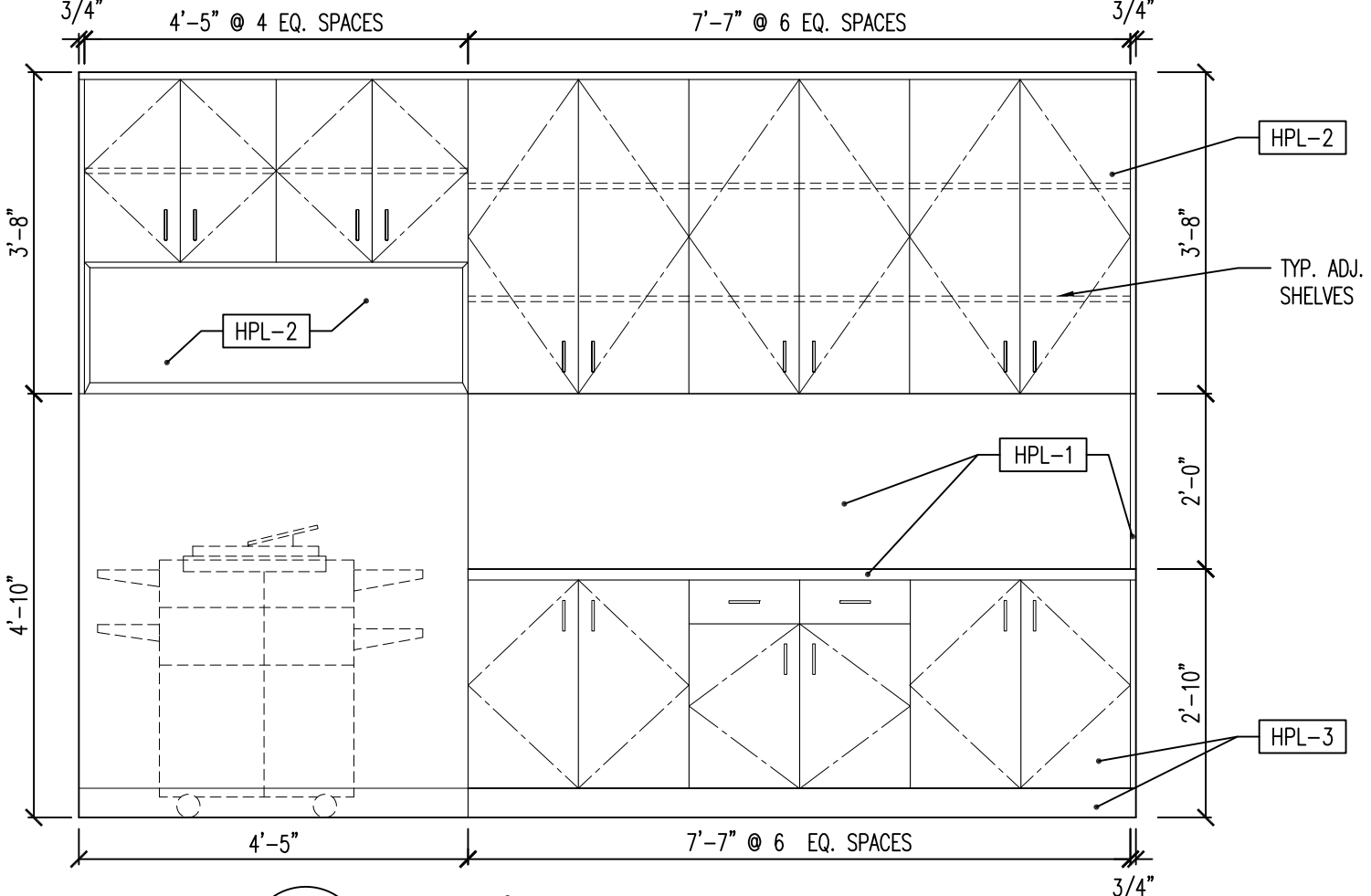
1 PANTRY FLOOR PLAN
SK-2 AVENTURA CORPORATE CENTER II - SUITE 303 1/2"=1'-0"



2 PANTRY ELEVATION
SK-2 1/2"=1'-0"



3 COPY/STORAGE FLOOR PLAN
SK-2 AVENTURA CORPORATE CENTER II - SUITE 303 1/2"=1'-0"



4 COPY/STORAGE ELEVATION
SK-2 1/2"=1'-0"

PROJECT NO:	1709-15
DRAWN BY:	I.G.
DATE:	11/06/18
SCALE:	AS-SHOWN
SHEET NO:	SK-2